

iSi Solutions

(iNnovative Solutions for iSeries)

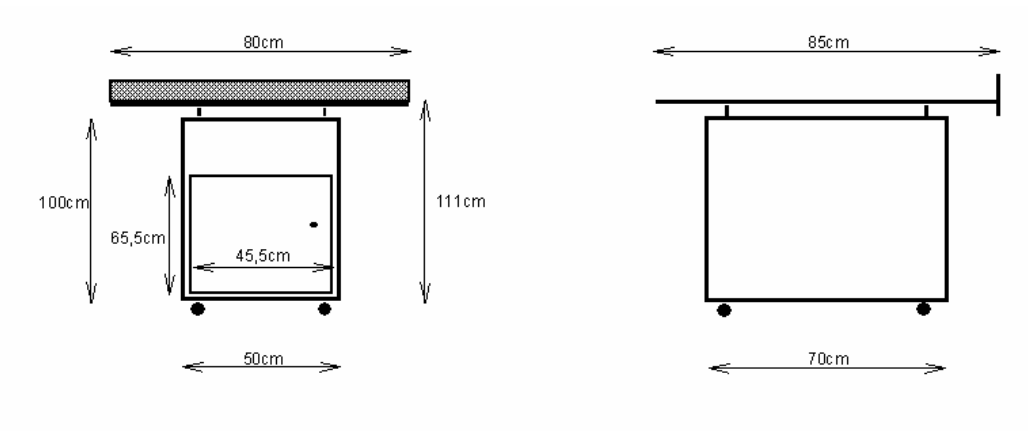
Booth description and details

IBM Forum, avenue du Bourgetlaan 42, 1130 EVERE

RULES TO PARTICIPATE AS AN EXHIBITOR

- 1) In order to get access to a booth, exhibitors must meet the following requirements and get their solution(s) technically validated by IBM. See below for more details on this mandatory validation process.
- 2) Once exhibitors have obtained the IBM validation, they may address Common Belgium to hire a booth.
- 3) Once a booth has been granted by Common Belgium, the IBM Forum will liaise with exhibitors to define the booth personalization (company name, application description, logo, etc ...)

BOOTH DESCRIPTION



More general info and a view on the IBM Forum and the booths on :
<http://www.ibm.com/be/events/centers/brussels/>